

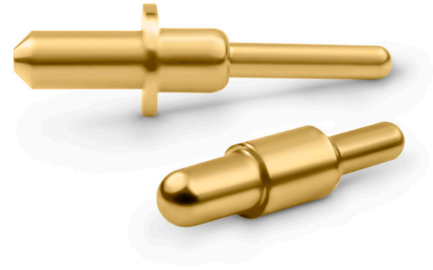
Spring Probes

Loose Probe & Connector Solutions



Spring Probe Technology

Smiths Interconnect is the world leader in spring contact probe design and the industry's expert in applying spring probes as connector contacts. Embodied in our connector products, probes are an enabling technology that fundamentally changes the capabilities of the products in which they are incorporated.



Features	Benefits
Low Profile, High Compliance Ratio Spring probe technology permits a very high compliance-to-length ratio. This allows Smiths Interconnect to design connectors as dense as 2mm, while maintaining 0.5mm of compliance. Spring probe connectors are low profile designs which are forgiving of challenging mating conditions and vibration environments.	Excellent for Blind Mate Spring probe connectors are compliant on the surface of their mating half, rather than extending into it as with conventional pin and socket connectors, allowing unique blind-mate capabilities. Designed to engage and disengage at a 90° angle to its target and wiping into position to clear contaminants, probe technology is an ideal approach to quick-disconnect applications.
High Frequency A short signal path, combined with design and signal integrity expertise, ensures remarkable connector solutions for both analog and digital applications.	Exceptional Misalignment Tolerance Spring probes require a flat pad for their target; providing contact if the probe's tip touches any point within the target's diameter. This ensures their forgiveness of any X, Y, Z, angular or rotational misalignment.
Low Stable Resistance Smiths Interconnect's spring probes feature several innovations for control of DC performance. Advanced biasing techniques provide excellent stability of contact resistance, even under conditions of heavy shock and vibration. Our connectors can be designed to withstand up to 30 Amps of current.	Environmentally Sealed Smiths Interconnect's application expertise and the durable nature of spring probes allows for connectors which are designed for high performance in the harshest conditions. IP68 and MIL810 requirements can be accommodated without sacrificing performance.
Higher Current Ratings The design parameters of the contact (e.g., the number, diameter and angle of the wires) may be modified for any requirement. The number of wires can be increased so the contact area is distributed over a larger surface. Thus, the high current carried by each wire, because of its intimate line contact, can be multiplied many times.	Shock & Vibration Spring contact probes provide a constant force against the mating contact surface, ensuring uninterrupted contact and easily absorbing and compensating for movement seen during shock and vibration.
High Insertion Life Spring contact probes are capable of remarkable longevity from 20K to 300K cycles based on design. Our probes are driven by helical coil springs, which maintain a constant force of contact over millions of cycles. Our extensive plating and materials knowledge combined with engineering expertise, delivers contacts that exceed the highest customer specifications for insertion life.	Spring Probe Connectors Spring contact probes provide repeatable contact in the field for modular components, reduce costs and eliminate cable connections by providing a dependable direct connection in rotating or sliding joints.

Contents

Connector Spring Probes..... 4

Dimensions & Specifications:

101582 Probe	4
101438 Probe	4
100671 Probe.....	5
101111 Probe	5
101506 Probe.....	6
101294 Probe.....	6
100803 Probe.....	7
101190 Probe	7
100606 Probe.....	8
100891 Probe.....	8
100410 Probe	9
101119 Probe.....	9
101050 Probe	10
101247 Probe	10
101679 Probe.....	11
101628 Probe.....	11
101402 Probe.....	12
100804 Probe.....	12
101712 Probe	13
101530 Probe.....	13
101549 Probe.....	14

Connector Target Contacts..... 15

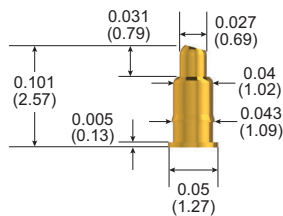
Dimensions & Specifications:

PI-5328.....	15
PI-5329.....	15
PI-5327.....	15
PI-5330	15

Standard Connector Probes

Dimensions and Specifications

101582 Probe



Probe Specifications

Minimum Centers	0.07 (1.78) 0.05 (1.27) staggered rows
Current Rating	9 A continuous (individual probe in free air @ ambient temperature)
Spring Force	48 g @ 0.03 (0.76) travel
Typical Resistance	< 10 mΩ
Maximum Travel	0.03 (0.76)
Working Travel	0.03 (0.76)

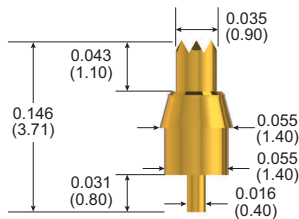
Materials

Barrel	Brass, gold plated
Spring	Stainless steel
Plunger	Beryllium copper, gold plated

How to Order

Part Number	101582-000
-------------	------------

101438 Probe



Probe Specifications

Minimum Centers	0.08 (2.03)
Current Rating	1 A continuous (individual probe in free air @ ambient temperature)
Spring Force	99 g @ 0.02 (0.51) travel
Typical Resistance	< 10 mΩ
Maximum Travel	0.039 (0.99)
Working Travel	0.02 (0.51)

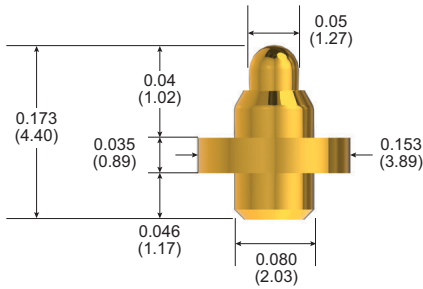
Materials

Barrel	Brass, gold plated
Spring	Stainless steel, gold plated
Plunger	Beryllium copper, gold plated

How to Order

Part Number	101438-000
-------------	------------

100671 Probe



Probe Specifications

Minimum Centers	0.175 (4.45)
Current Rating	3 A continuous (individual probe in free air @ ambient temperature)
Spring Force	145 g @ 0.027 (0.69) travel
Typical Resistance	< 10 mΩ
Maximum Travel	0.04 (1.02)*
Working Travel	0.027 (0.69)

Materials

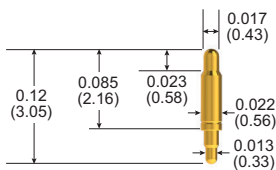
Barrel	Nickel/silver, gold plated
Spring	Stainless steel, gold plated
Plunger	Beryllium copper, gold plated

How to Order

Part Number	100671-000
-------------	------------

*Not recommended for use at maximum travel

101111 Probe



Probe Specifications

Minimum Centers	0.029 (0.75)
Current Rating	6 A continuous (individual probe in free air @ ambient temperature)
Spring Force	43 g @ 0.022 (0.55) travel
Typical Resistance	< 50 mΩ
Maximum Travel	0.025 (0.58)
Working Travel	0.022 (0.55)

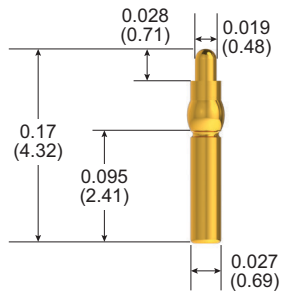
Materials

Barrel	Phosphor bronze, gold plated
Spring	Music wire, gold plated
Plunger	Phosphor bronze, gold plated

How to Order

Part Number	101111-008
-------------	------------

101506 Probe



Probe Specifications

Minimum Centers	0.05 (1.27)
Current Rating	5 A continuous (individual probe in free air @ ambient temperature)
Spring Force	39 g @ 0.02 (0.51) travel
Typical Resistance	< 20 mΩ
Maximum Travel	0.028 (0.71)
Working Travel	0.02 (0.51)

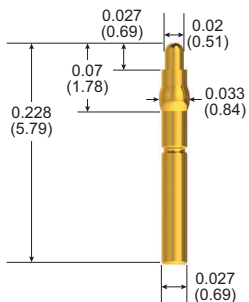
Materials

Barrel	Nickel/silver, gold plated
Spring	Stainless steel, gold plated
Plunger	Beryllium copper, gold plated

How to Order

Part Number	101506-000
-------------	------------

101294 Probe



Probe Specifications

Minimum Centers	0.05 (1.27)
Current Rating	5 A continuous (individual probe in free air @ ambient temperature)
Spring Force	26 g @ 0.02 (0.51) travel
Typical Resistance	< 20 mΩ
Maximum Travel	0.027 (0.69)
Working Travel	0.02 (0.51)

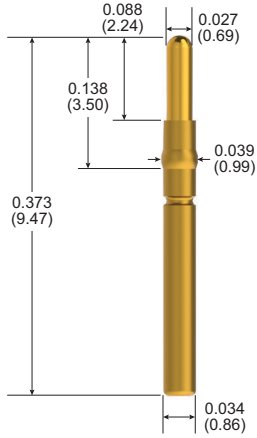
Materials

Barrel	Nickel/silver, gold plated
Spring	Stainless steel, gold plated
Plunger	Beryllium copper, gold plated

How to Order

Part Number	101294-000
-------------	------------

100803 Probe



Probe Specifications

Minimum Centers	0.05 (1.27)
Current Rating	5 A continuous (individual probe in free air @ ambient temperature)
Spring Force	34 g @ 0.05 (1.27) travel
Typical Resistance	< 50 mΩ
Maximum Travel	0.06 (1.52)
Working Travel	0.05 (1.27)

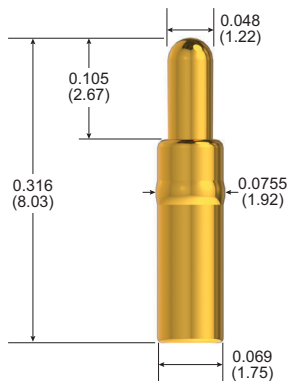
Materials

Barrel	Nickel/silver, gold plated
Spring	Stainless steel, gold plated
Plunger	Beryllium copper, gold plated

How to Order

Part Number	100803-011
-------------	------------

101190 Probe



Probe Specifications

Minimum Centers	0.10 (2.54)
Current Rating	15 A continuous (individual probe in free air @ ambient temperature)
Spring Force	74 g @ 0.067 (1.70) travel
Typical Resistance	< 6 mΩ
Maximum Travel	0.10 (2.54)
Working Travel	0.067 (1.70)

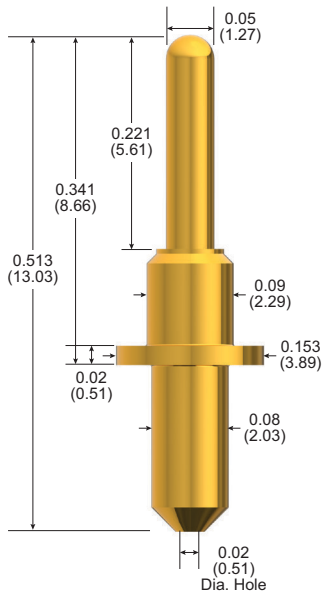
Materials

Barrel	Nickel/silver, gold plated
Spring	Stainless steel
Plunger	Beryllium copper, gold plated

How to Order

Part Number	101190-002
-------------	------------

100606 Probe



Probe Specifications

Minimum Centers	0.175 (4.45)
Current Rating	15 A continuous (individual probe in free air @ ambient temperature)
Spring Force	176 g @ 0.06 (1.52) travel
Typical Resistance	< 10 mΩ
Maximum Travel	0.09 (2.29)
Working Travel	0.06 (1.52)

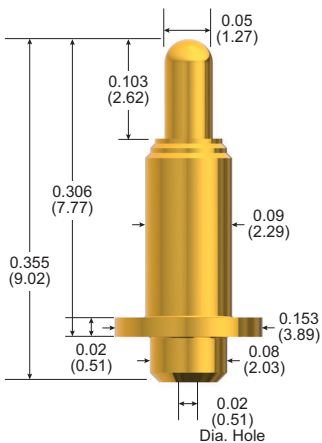
Materials

Barrel	Nickel/silver, gold plated
Spring	Stainless steel, gold plated
Plunger	Beryllium copper, gold plated
Bias Ball	Stainless steel

How to Order

Part Number	100606-000
-------------	------------

100891 Probe



Probe Specifications

Minimum Centers	0.175 (4.45)
Current Rating	15 A continuous (individual probe in free air @ ambient temperature)
Spring Force	256 g @ 0.067 (1.70) travel
Typical Resistance	< 5 mΩ
Maximum Travel	0.10 (2.54)
Working Travel	0.067 (1.70)

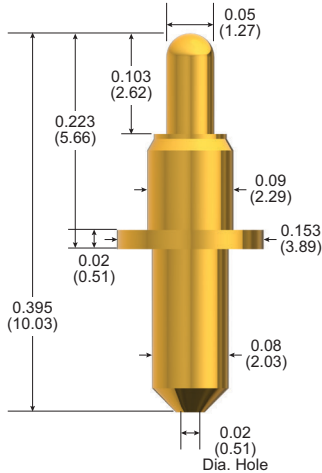
Materials

Barrel	Nickel/silver, gold plated
Spring	Stainless steel, gold plated
Plunger	Beryllium copper, gold plated

How to Order

Part Number	100891-002
-------------	------------

100410 Probe



Probe Specifications

Minimum Centers	0.175 (4.45)
Current Rating	15 A continuous (individual probe in free air @ ambient temperature)
Spring Force	176 g @ 0.06 (1.52) travel
Typical Resistance	< 5 mΩ
Maximum Travel	0.09 (2.29)
Working Travel	0.06 (1.52)

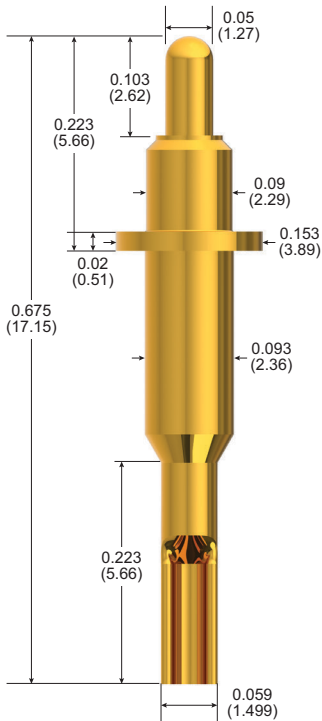
Materials

Barrel	Nickel/silver, gold plated
Spring	Stainless steel
Plunger	Beryllium copper, gold plated
Bias Ball	Stainless Steel

How to Order

Part Number	100410-005
-------------	------------

101119 Probe



Probe Specifications

Minimum Centers	0.175 (4.45)
Current Rating	15 A continuous (individual probe in free air @ ambient temperature)
Spring Force	176 g @ 0.06 (1.52) travel
Typical Resistance	< 10 mΩ
Maximum Travel	0.09 (2.29)
Working Travel	0.06 (1.52)

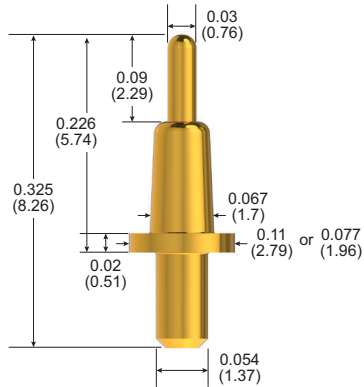
Materials

Barrel	Nickel/silver, gold plated
Spring	Stainless steel
Plunger	Beryllium copper, gold plated
Bias Ball	Stainless steel
Receptacle	Nickel/silver, gold plated

How to Order

Part Number	101119-001
-------------	------------

101050 Probe



Probe Specifications

Minimum Centers	0.125 (3.18)
Current Rating	10 A continuous (individual probe in free air @ ambient temperature)
Spring Force	65 g @ 0.06 (1.52) travel
Typical Resistance	< 10 mΩ
Maximum Travel	0.09 (2.29)
Working Travel	0.06 (1.52)

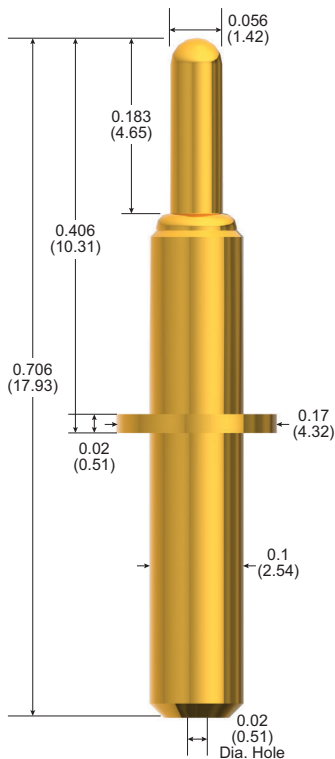
Materials

Barrel	Nickel/silver, gold plated
Spring	Stainless steel, passivated
Plunger	Beryllium copper, gold plated
Ball	Stainless steel, gold plated

How to Order

Part Number	101050-003 (0.11 dia. flange) 101050-005 (0.077 dia. flange)
-------------	---

101247 Probe



Probe Specifications

Minimum Centers	0.20 (5.08)
Current Rating	20 A continuous (individual probe in free air @ ambient temperature)
Spring Force	332 g @ 0.147 (3.73) travel
Typical Resistance	< 10 mΩ
Maximum Travel	0.180 (4.57)
Working Travel	0.147 (3.73)

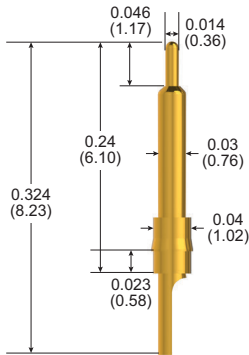
Materials

Barrel	Brass, gold plated
Spring	Stainless steel, passivated
Plunger	Beryllium copper, gold plated

How to Order

Part Number	101247-001
-------------	------------

101679 Probe



Probe Specifications

Minimum Centers	0.055 (1.40)
Current Rating	3 A continuous (individual probe in free air @ ambient temperature)
Spring Force	37 g @ 0.023 (0.58) travel
Typical Resistance	< 25 mΩ
Maximum Travel	0.023 (0.58)
Working Travel	0.023 (0.58)

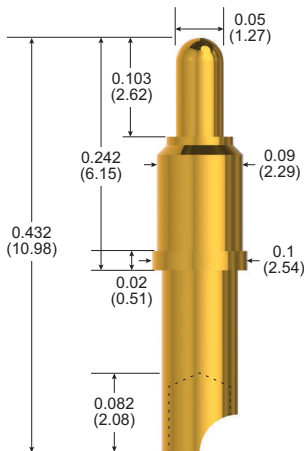
Materials

Barrel	Brass, gold plated
Spring	Stainless steel
Plunger	Brass, gold plated

How to Order

Part Number	101679-000
-------------	------------

101628 Probe



Probe Specifications

Minimum Centers	0.125 (3.18)
Current Rating	25 A continuous (individual probe in free air @ ambient temperature)
Spring Force	150 g @ 0.04 (1.02) travel
Typical Resistance	< 5 mΩ
Maximum Travel	0.04 (1.02)
Working Travel	0.04 (1.02)

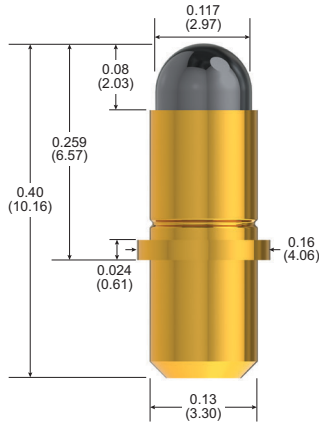
Materials

Barrel	Brass, gold plated
Spring	Music wire, nickel plated
Plunger	Beryllium copper, gold plated
Ball	Stainless steel

How to Order

Part Number	101628-000
-------------	------------

101402 Probe



Probe Specifications

Minimum Centers	0.175 (4.45)
Current Rating	20 A continuous (individual probe in free air @ ambient temperature)
Spring Force	275 g @ 0.05 (1.27) travel
Typical Resistance	< 10 mΩ
Maximum Travel	0.08 (2.03)
Working Travel	0.05 (1.27)

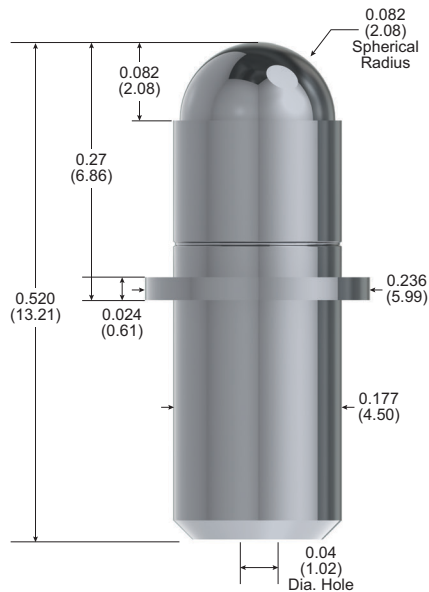
Materials

Barrel	Nickel/silver, gold plated
Spring	Stainless steel, passivated
Plunger	Brass, Duralloy™

How to Order

Part Number	101402-000
-------------	------------

100804 Probe



Probe Specifications

Minimum Centers	0.25 (6.35)
Current Rating	30 A continuous (individual probe in free air @ ambient temperature)
Spring Force	252 g @ 0.54 (1.37) travel
Typical Resistance	< 5 mΩ
Maximum Travel	0.082 (2.08)
Working Travel	0.054 (1.37)

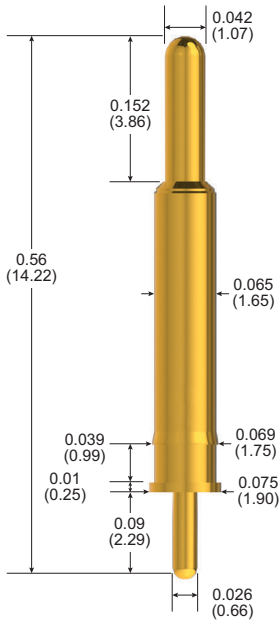
Materials

Barrel	Brass, Duralloy™ plated
Spring	Stainless steel, passivated
Plunger	Brass, Duralloy™ plated

How to Order

Part Number	100804-002
-------------	------------

101712 Probe



Probe Specifications

Minimum Centers	0.10 (2.54)
Current Rating	3 A continuous (individual probe in free air @ ambient temperature)
Spring Force	102 g @ 0.06 (1.52) travel
Typical Resistance	< 50 mΩ
Maximum Travel	0.12 (3.05)
Working Travel	0.06 (1.52)

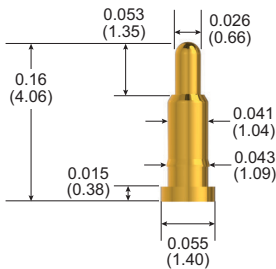
Materials

Barrel	Brass, gold plated
Spring	Stainless steel
Plunger	Brass, gold plated

How to Order

Part Number	101712-000
-------------	------------

101530 Probe



Probe Specifications

Minimum Centers	0.07 (1.78)
Current Rating	1 A continuous (individual probe in free air @ ambient temperature)
Spring Force	71 g @ 0.042 (1.07) travel
Typical Resistance	< 50 mΩ
Maximum Travel	0.05 (1.27)
Working Travel	0.042 (1.07)

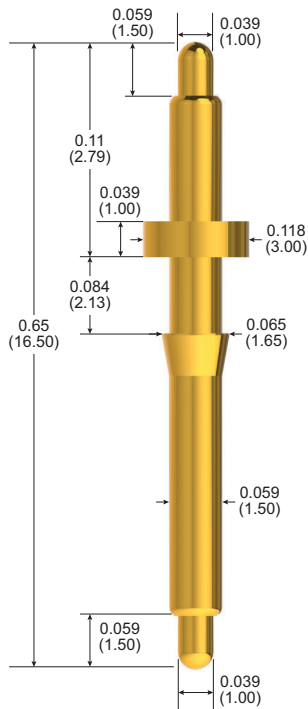
Materials

Barrel	Brass, gold plated
Spring	Stainless steel
Plunger	Full-hard beryllium copper, gold plated

How to Order

Part Number	101530-000
-------------	------------

101549 Probe



Probe Specifications

Minimum Centers	0.125 (3.18)
Current Rating	3 A continuous with 80°C rise (individual probe in free air @ ambient temperature)
Spring Force	100 g @ 0.039 (1.00) travel, each end
Typical Resistance	< 50 mΩ
Maximum Travel	0.059 (1.50), each end
Working Travel	0.039 (1.00), each end

Materials

Barrel	Nickel/silver, gold plated
Spring	Stainless steel
Plunger	Full-hard beryllium copper, gold plated

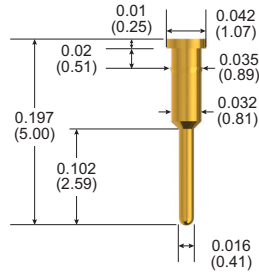
How to Order

Part Number	101549-000
-------------	------------

Connector Target Contacts

Dimensions and Specifications

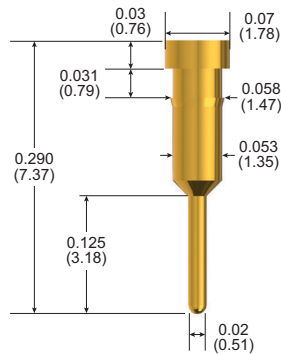
PI-5328



Pin Specifications	
Mounting Hole	0.034 (0.86)
Pin Material	Brass
Plating Material	Gold over nickel

How to Order	
Part Number	305328-000

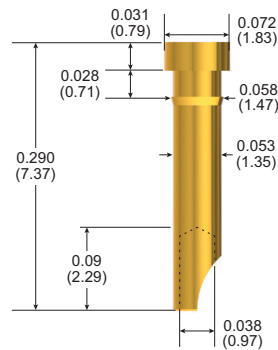
PI-5329



Pin Specifications	
Mounting Hole	0.057 (1.45)
Pin Material	Brass
Plating Material	Gold over nickel

How to Order	
Part Number	305329-000

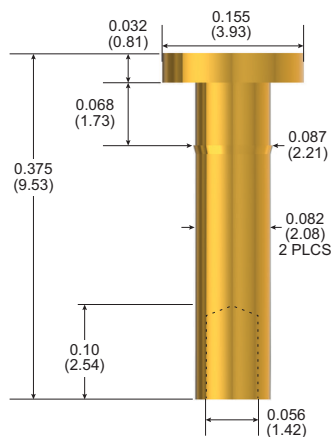
PI-5327



Pin Specifications	
Mounting Hole	0.057 (1.45)
Pin Material	Brass
Plating Material	Gold over nickel

How to Order	
Part Number	305327-000

PI-5330



Pin Specifications	
Mounting Hole	0.084 (2.15)
Pin Material	Brass
Plating Material	Gold over nickel

How to Order	
Part Number	305330-000

Dimensions are in inches [mm].



KENSINGTON

ELECTRONICS Inc.

Not just products - Solutions!

INTERNATIONAL,
ALASKA & HAWAII

Please contact one
of the ISRs.

Courtney Darrah

Inside Sales Representative
cdarrah@keiconn.com
512-339-3324

Daegan Richmond

Inside Sales Representative
drichmond@keiconn.com
512-339-3331

Francisco Buxareo

Inside Sales Representative
fbuxareo@keiconn.com
512-339-3302

Gabby Bozeman

Inside Sales Representative
gbozeman@keiconn.com
512-339-3325

John Davis

Inside Sales Representative
jdavis@keiconn.com
512-339-3311

North American Sales Support Coverage



Gabby Bozeman

Inside Sales Representative
gbozeman@keiconn.com
512-339-3325

Francisco Buxareo

Inside Sales Representative
fbuxareo@keiconn.com
512-339-3302

Daegan Richmond

Inside Sales Representative
drichmond@keiconn.com
512-339-3331

Courtney Darrah

Inside Sales Representative
cdarrah@keiconn.com
512-339-3324

John Davis

Inside Sales Representative
jdavis@keiconn.com
512-339-3311