



LED Linear Low-Bay Lighting, Variable Wattage & CCT

2 ft & 4 ft – Frosted PC Lens – 120° Wide Beam – 120~277VAC – IP66 – 5 Mounting Options – Dimmable



FEATURES

- 5 Year LEDtronics Warranty
- Lumen Maintenance over 70% @ 50,000+ Hours
- IP66: Suitable for Wet Locations
- ETL Listed (5001780)
- Dimmable with External 0-10 Dimmer (*not included*) – Title 24 Compliant
- Lightweight, Flexible & Durable Polycarbonate Housing Resists Vandalism, High Impact & Shock
- Stainless Steel Heatsink & Mounting Hardware for Wall, Ceiling or Suspended Mounting (Silicon Gasket & Closure Clips for Secure, Even Sealing)
- No UV/IR Radiation, No RF Interference / No Buzzing, No Flickering



Over 35 Years of LEDtronics Design, Engineering & Manufacturing Experience

APPLICATIONS

- Production Areas, Canopies, Stairwells
- Warehouse & Workshop Lighting
- Food Processing Facilities
- Equestrian Facilities / Farmyards
- Parking Areas & Garages
- Tunnels, Bridges

AVAILABLE OPTIONS

- Emergency Battery with Test Button
- Junction-Box Cover, Tamper-Proof or 45°-Angled Luminaire Surface Mountings
- Clear Polycarbonate Lens
- Photo Sensor
- 8-Ft Linear Luminaire

LLL01-1525W-3550-101D

| Input Voltage | 120~277VAC (Tested @ 120VAC) | | |
|--------------------|------------------------------|-------------|-------------|
| Nominal Power | 15 Watts | 20 Watts | 25 Watts |
| COLOR TEMP. (CCT) | Medium White / 3500K | | |
| Input Power | 15.7 Watts | 19.6 Watts | 25.6 Watts |
| Input Current | 0.133A | 0.164A | 0.215A |
| Total Lumens | 2566 lm | 3153 lm | 3975 lm |
| Efficacy | 163 lm/W | 161 lm/W | 155lm/W |
| Max. Candela | 792 cd | 968 cd | 1223 cd |
| Power Factor | 0.99 | 0.99 | 1.0 |
| Illumination Angle | 110° x 125° | | |
| COLOR TEMP. (CCT) | Natural White / 4000K | | |
| Input Power | 15.3 Watts | 19 Watts | 19.7 Watts |
| Input Current | 0.128A | 0.159A | 0.164A |
| Total Lumens | 2627 lm | 3273 lm | 3266 lm |
| Efficacy | 172 lm/W | 172 lm/W | 166 lm/W |
| Max. Candela | 805 cd | 1000 cd | 993 cd |
| Power Factor | 0.99 | 0.99 | 0.99 |
| Illumination Angle | 105° x 125° | 110° x 125° | |
| COLOR TEMP. (CCT) | Pure White / 5000K | | |
| Input Power | 15.9 Watts | 24.8 Watts | 25.8 Watts |
| Input Current | 0.133A | 0.208A | 0.216A |
| Total Lumens | 2689 lm | 4192 lm | 4157 lm |
| Efficacy | 169 lm/W | 169 lm/W | 161 lm/W |
| Max. Candela | 815 cd | 1282 cd | 1267 cd |
| Power Factor | 0.99 | 1.0 | 1.0 |
| Illumination Angle | 110° x 125° | 105° x 125° | 110° x 125° |

2 ft

(See page 2 for 4-ft)

| | |
|-------------------|---|
| CRI | ≥80 |
| Dimmability | Dimmable - Wired to External 0-10V Dimmer |
| Housing | Polycarbonate / White |
| Diffuser Plate | Polycarbonate / Frosted White |
| Protection Rating | IP66 - Protected against strong jets of water |
| Oper. Temperature | -40°F ~ +104°F / -40°C ~ +40°C |
| Weight | 2.79 lbs / 1.27 kg (w/Power Supply) |
| ETL/cETL Listing | 5001780 (RS-2VTA25WD3P-3CK) |



3 CCT & 3 Wattage Tunable

Metal Lock



TOP VIEW



SIDE VIEW



BOTTOM VIEW

Polycarbonate Diffuser Eliminates Glare – Integrated with Crystals that Enhance Even Light Distribution

INCLUDED HARDWARE



KENSINGTON
ELECTRONICS inc.

Not just products - Solutions!

keiconn.com

3 CCT & 3 Wattage Tunable

Polycarbonate Diffuser Eliminates Glare – Integrated with Crystals that Enhance Even Light Distribution



Metal Lock

4 ft
(See page 1 for 2-ft)



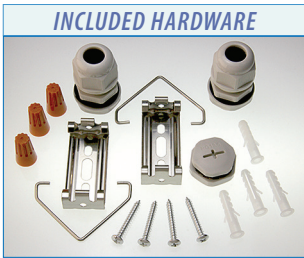
SHOWN ENLARGED

LLL02-3046W-3550-101D

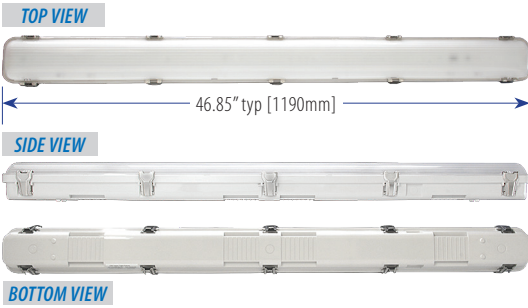
| | | | |
|--------------------|------------------------------|-------------|-------------|
| Input Voltage | 120~277VAC (Tested @ 120VAC) | | |
| Nominal Power | 30 Watts | 38 Watts | 46 Watts |
| COLOR TEMP. (CCT) | Medium White / 3500K | | |
| Input Power | 30.8 Watts | 31.1 Watts | 46.7 Watts |
| Input Current | 0.256A | 0.310A | 0.390A |
| Total Lumens | 4477 lm | 5241 lm | 6261 lm |
| Efficacy | 145 lm/W | 169 lm/W | 134 lm/W |
| Max. Candela | 1554 cd | 1830 cd | 2224 cd |
| Power Factor | 0.99 | 0.99 | 1.0 |
| Illumination Angle | 110° x 115° | 110° x 110° | |
| COLOR TEMP. (CCT) | Natural White / 4000K | | |
| Input Power | 30.2 Watts | 36 Watts | 45.1 Watts |
| Input Current | 0.252A | 0.300A | 0.376A |
| Total Lumens | 5205 lm | 6095 lm | 7497 lm |
| Efficacy | 172 lm/W | 169 lm/W | 166 lm/W |
| Max. Candela | 1624 cd | 1905 cd | 2347 cd |
| Power Factor | 0.99 | 1.0 | 1.0 |
| Illumination Angle | 110° x 125° | 110° x 120° | |
| COLOR TEMP. (CCT) | Pure White / 5000K | | |
| Input Power | 30.8 Watts | 37.3 Watts | 46.7 Watts |
| Input Current | 0.262A | 0.309A | 0.389A |
| Total Lumens | 5061 lm | 6033 lm | 7246 lm |
| Efficacy | 164 lm/W | 162 lm/W | 155 lm/W |
| Max. Candela | 1573 cd | 1875 cd | 2255 cd |
| Power Factor | 0.99 | 0.99 | 1.0 |
| Illumination Angle | 110° x 125° | 110° x 120° | 110° x 125° |
| CRI | ≥80 | ≥80 | ≥80 |
| Weight | 4.5 lbs / 2.05 kg | | |



- INSTALLATION OPTIONS**
- Tamperproof Bracket Mounting
 - Surface or Suspension Mounting
 - Junction Box Cover Mounting
 - 45° Surface Mounting



| | |
|--------------------|---|
| Dimmability | Dimmable - Wired to External 0-10V Dimmer |
| Housing | Polycarbonate / White |
| Diffuser Plate | Polycarbonate / Frosted White |
| Protection Rating | IP66 - Protected against strong jets of water |
| Oper. Temperature | -40°F ~+104°F / -40°C ~+40°C |
| Dimensions (LxWxH) | 46.85 x 4.17 x 3.35 inch / 1190 x 106 x 85 mm |
| ETL/cETL Listing | 5001780 |



LLL02-3060W-3550-101D

| | | | |
|--------------------|------------------------------|----------|----------|
| Input Voltage | 120~277VAC (Tested @ 120VAC) | | |
| Nominal Power | 30 Watts | 45 Watts | 60 Watts |
| COLOR TEMP. (CCT) | Medium White / 3500K | | |
| Input Power | 30 Watts | 45 Watts | 58 Watts |
| Input Current | 0.253A | 0.380A | 0.479A |
| Total Lumens | 4756 lm | 6948 lm | 8455 lm |
| Efficacy | 157 lm/W | 153 lm/W | 146 lm/W |
| Max. Candela | 1494 cd | 2182 cd | 2652 cd |
| Power Factor | 0.98 | 1.0 | 1.0 |
| Illumination Angle | 110° x 120° | | |
| COLOR TEMP. (CCT) | Natural White / 4000K | | |
| Input Power | 29 Watts | 43 Watts | 55 Watts |
| Input Current | 0.247A | 0.362A | 0.458A |
| Total Lumens | 4972 lm | 7189 lm | 8929 lm |
| Efficacy | 170 lm/W | 166 lm/W | 162 lm/W |
| Max. Candela | 1531 cd | 2245 cd | 2791 cd |
| Power Factor | 0.99 | 0.99 | 1.0 |
| Illumination Angle | 110° x 120° | | |
| COLOR TEMP. (CCT) | Pure White / 5000K | | |
| Input Power | 30 Watts | 45 Watts | 57 Watts |
| Input Current | 0.253A | 0.370A | 0.480A |
| Total Lumens | 4989 lm | 7115 lm | 8782 lm |
| Efficacy | 166 lm/W | 159 lm/W | 153 lm/W |
| Max. Candela | 1547 cd | 2209 cd | 2724 cd |
| Power Factor | 0.99 | 1.0 | 1.0 |
| Illumination Angle | 110° x 120° | | |
| CRI | 80 | | |
| Weight | 4.7 lbs / 2.13 kg | | |



KENSINGTON

ELECTRONICS inc.

Not just products - Solutions!

INTERNATIONAL,
ALASKA & HAWAII

Please contact one
of the ISRs.

Courtney Darrah

Inside Sales Representative
cdarrah@keiconn.com
512-339-3324

Erin Gagne

Inside Sales Representative
egagne@keiconn.com
512-339-3331

Kevin Kientopf

Inside Sales Representative
kkientopf@keiconn.com
512-339-3315

Gabby Bozeman

Inside Sales Representative
gbozeman@keiconn.com
512-339-3325

John Davis

Inside Sales Representative
jdavis@keiconn.com
512-339-3311

North American Sales Support Coverage



Kevin Kientopf

Inside Sales Representative
kkientopf@keiconn.com
512-339-3315

Courtney Darrah

Inside Sales Representative
cdarrah@keiconn.com
512-339-3324

John Davis

Inside Sales Representative
jdavis@keiconn.com
512-339-3311

Scott Kirchmeier

Regional Sales Manager
sales@keiconn.com
512-339-3312

Erin Gagne

Inside Sales Representative
egagne@keiconn.com
512-339-3331

Gabby Bozeman

Inside Sales Representative
gbozeman@keiconn.com
512-339-3325