

NEW

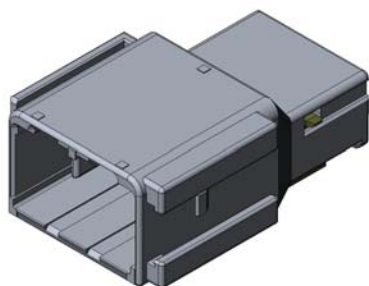


Automotive Cable-to-Cable Compact Connector

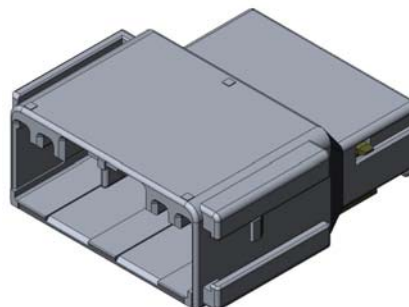
MX34 Series (Relay Type)

CONNECTOR
MB-0254-1
November 2012

RoHS Compliant



Relay 12 Position Housing



Relay 20 Position Housing

A relay type has been added to the line-up of the MX34 Series of automotive board-to-cable connectors to enhance the variety of connection types.

The MX34 Series relay type is available in 12 and 20 positions and can mate with existing mass-production MX34 socket connectors.

The MX34 features fastening locks in 3 locations around the relay connector, allowing it to be fixed in place by using a nylon clip and metal bar. In addition, connectors can also be fastened together in a row by using the fastening locks.

Features

- Cable-to-Cable relay type
- Features a pre-set retainer that detects incomplete pin terminal insertion.
- Mating structure is strong against twisting by having multiple keys.
- Fastening locks allow connector to be fixed in place by using a nylon clip and metal bar.
- Connectors can be fastened together in a row by using the fastening locks.
- Can mate with MX34 socket.

General Specifications

- | | |
|---|--|
| ■ No. of Contacts: 12, 20 positions | ■ Rated Current: 3A |
| ■ Contact Resistance:
5mΩ max. (initial)
10mΩ max. (after test) | ■ Insulation Resistance: 100MΩ min. |
| ■ Dielectric Withstanding Voltage:
AC 1,000Vr.m.s per minute | ■ Mating Durability: 50 times |
| | ■ Operating Temperature:
-40 Deg. C to +85 Deg. C |

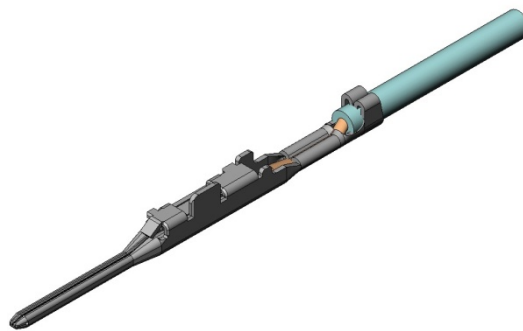
Materials and Finishes

■ Relay Connector

Component	Material / Finish
Relay Housing	PPE+PA66 (Alloy)
Retainer	PPE+PA66 (Alloy)

■ Relay Pin Contact

Component	Material / Finish
Relay Pin Contact	Copper Alloy / Sn Plating



Applicable Cable

Contact Part Number	Applicable Cable	SJ Drawing
M34P75C4F1	AVSS0.3mm ² , CHFUS0.22mm ² ~0.35mm ²	SJ103146
M34P75C4F2	AVSS0.5mm ² , CHFUS0.5mm ² ~0.75mm ² CAVS0.5mm ²	SJ103147
M34P75C4F5	CHFUS 0.13mm ²	SJ109337

Crimp Tool

Contact Part Number	Semi-automatic Applicator
M34P75C4F1	3502-MX34D-2
M34P75C4F2	
M34P75C4F5	

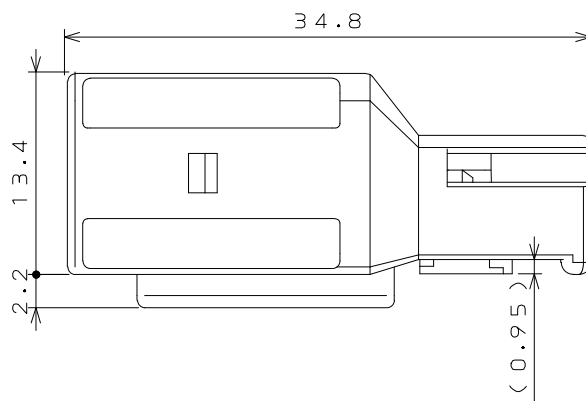
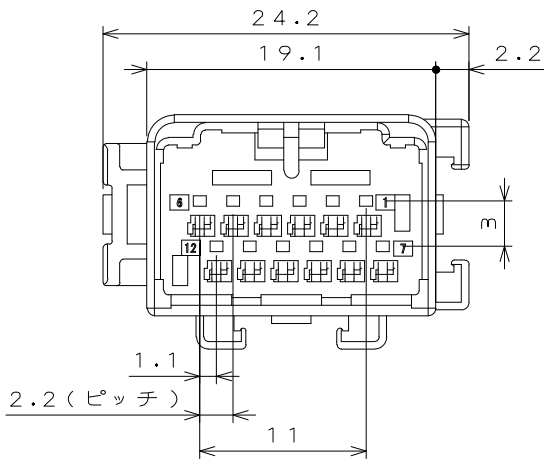
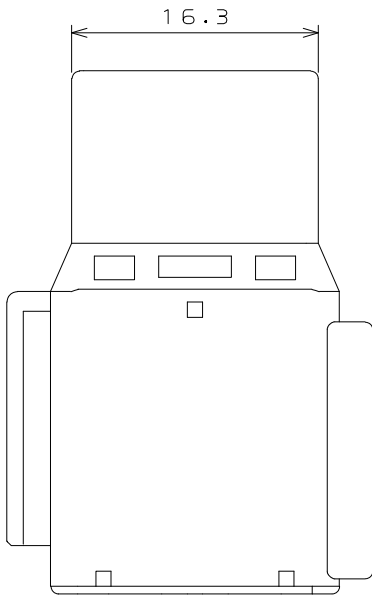
Extraction Tool

ET-MX34P-1

Product Drawings

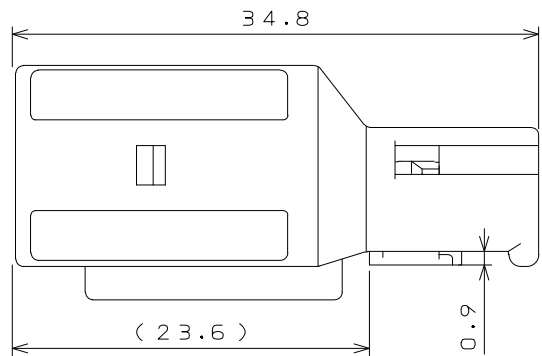
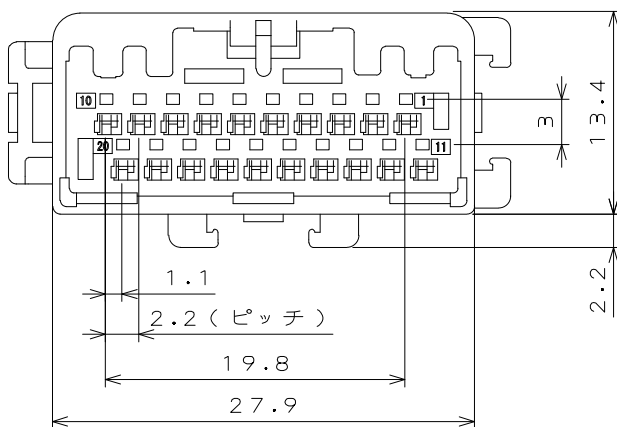
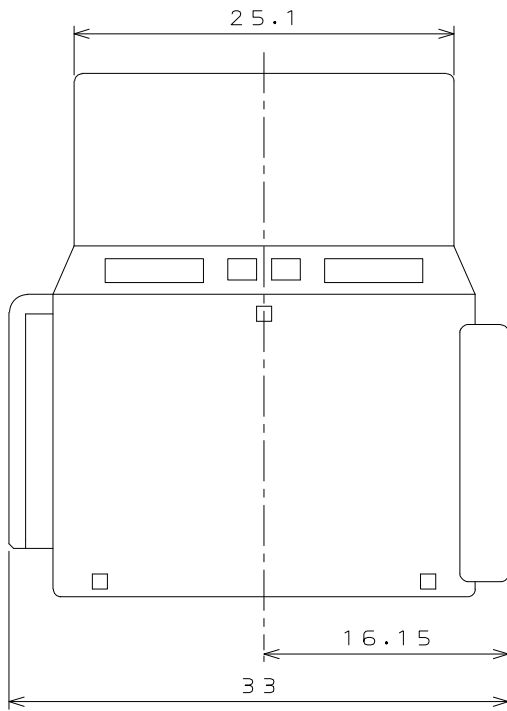
■ MX34012PF1 (Relay 12 Position Housing)
(Drawing No.: SJ111563)

Unit: mm



■ MX34020PF1 (Relay 20 Position Housing)
(Drawing No.: SJ104399)

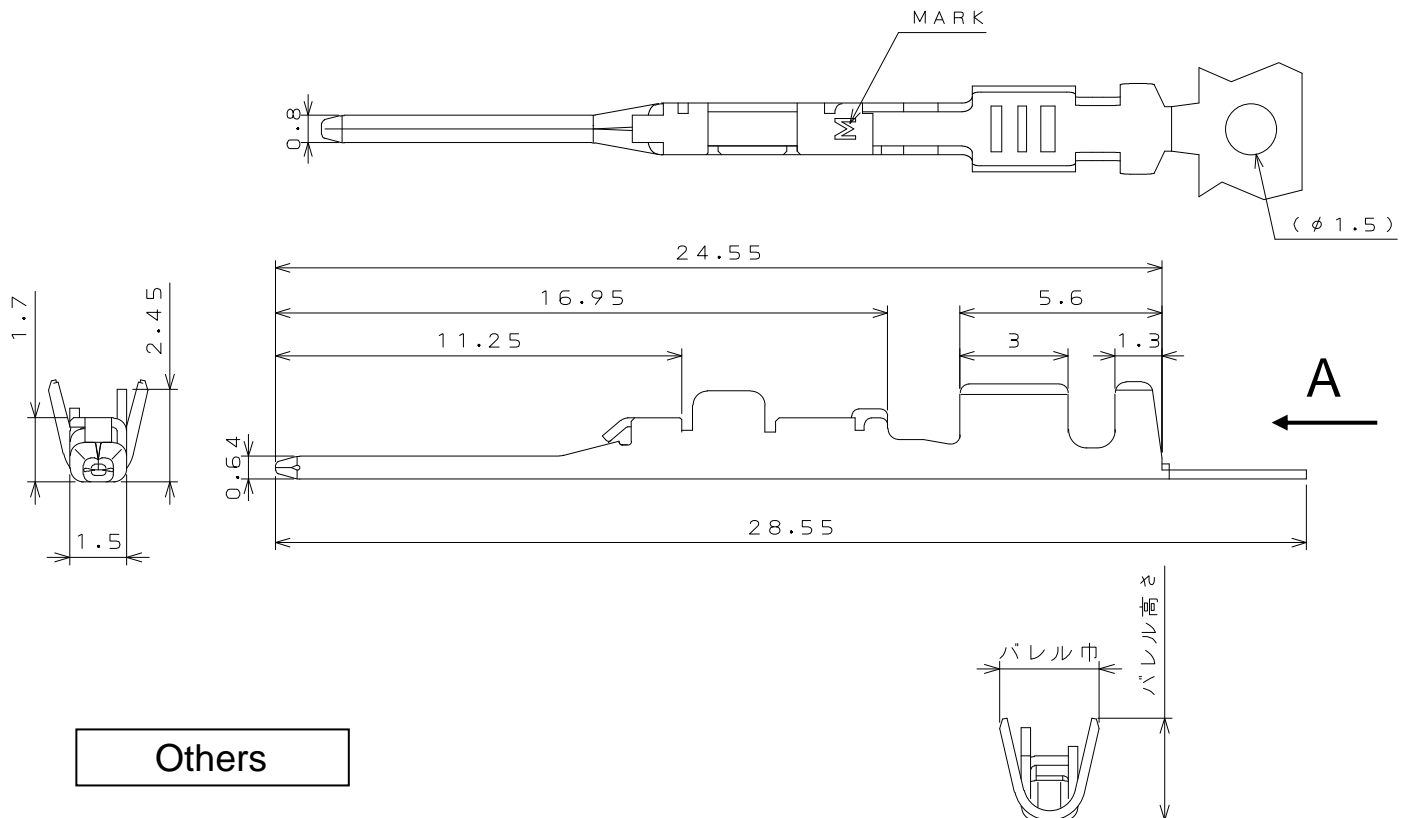
Unit: mm



■ Relay Pin Contact

Unit: mm

Part Number	MARK	Barrel Width	Barrel Height
M34P75C4F1	S	2.6	2.6
M34P75C4F2	M	2.65	2.7
M34P75C4F5	X	2.26	1.8



Others

Specification

JACS-1754-4

Handling Instruction

J AHL-1754-1

Drawing viewed from direction A

Notice: Products shown in this brochure are made for the applications listed below. However, if the above-mentioned products are to be used in aerospace devices, marine cable-connection devices, atomic power control systems, medical equipment for life-support systems, or any other specific application requiring extremely high reliability, please contact JAE for further information.
 Recommended applications: Computers, Office machines, Measuring devices, Telecommunication devices (Terminals, Mobile devices), AV devices, Household applications, FA devices, etc.

Japan Aviation Electronics Industry, Limited

Product Marketing Division
 Aobadai Building, 3-1-19, Aobadai, Meguro-ku, Tokyo 153-8539
 Phone: +81-3-3780-2882 FAX: +81-3-3780-2946

* The specifications in this brochure are subject to change without notice. Please contact JAE for information.