

Floating Board-to-board Power Connector

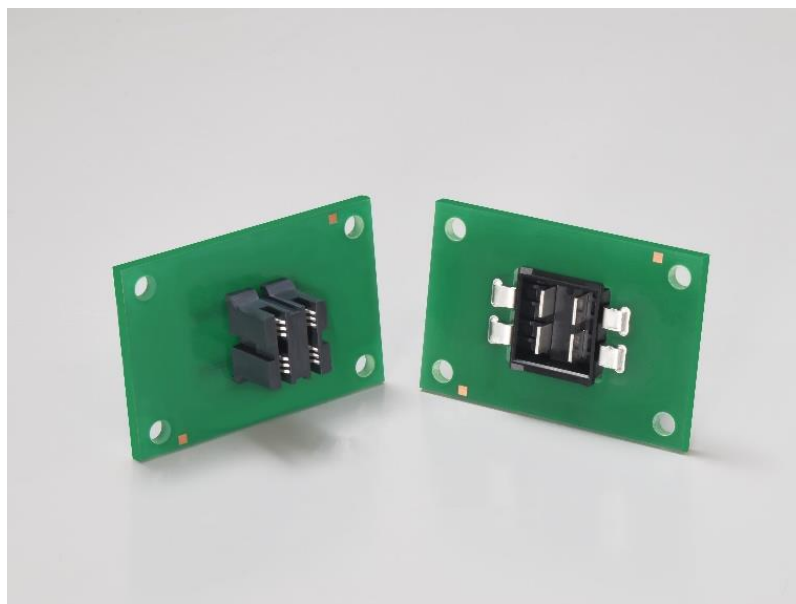
CONNECTOR

**DW11 Series**

MB-0395-1

Feb.2024

RoHS Compliant



This product uses our unique floating structure, which are capable of  $\pm 0.8\text{mm}$  floating tolerance in the X and Y directions. DW11 series is a connector that can be customized with the number of terminal required for a customer application. This connector series is ideal to supply power between boards, and will cater to applications in various industrial applications.

## Application

Communication equipment, ICT applications, industrial equipment, measuring equipment, broadcasting equipment and various other applications

## Features

- Mechanism incorporating unique floating structure
- Floating tolerance of  $\pm 0.8\text{mm}$  in X and Y directions
- High power compatibility up to 20A and 250V
- The number of terminal pins can be adjusted according to customer requirements

**General Specifications**

	Specification
Operating Temperature Range	-40°C~+85°C
Durability	30 times
Number of Contacts	4
Contact Resistance	After test:4mΩ MAX.
Rated Current	20A DC
Rated Voltage	250V DC
Connector Mating & Withdrawal Force	Mating force:90N MAX. Withdrawal force:10N MIN.
Vibration	Amplitude of 1.5mm at 10-55Hz for 2 hours in 3 axes, 6 hours in total.
Shock	Wave form: half sine, 490m/s <sup>2</sup> (50G), 3 shocks in X, Y, Z axes (total 18 times)
Dielectric Withstanding Voltage	500V AC r.m.s for 1 minute
Thickness of Applicable PCB	Plug side: 1.6~3.0mm Socket side: 1.6~3.1mm

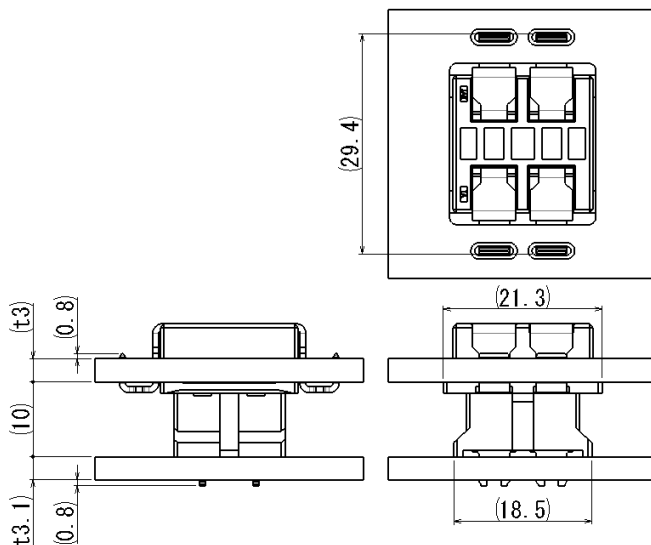
\* If having any questions regarding soldering method and adding terminal, please contact us.

**Material / Finish**

	Components	Material / Finish
Plug	Contact	Copper alloy / Tin plating
	Housing	PA9T
Socket	Contact	Copper alloy / Tin plating
	Housing	LCP

**Outline**

■ Mating status



## Connector Part Number

	Individual Product		Reeled Product	
	Part Number	Drawing Number	Part Number	Drawing Number
Plug	DW11P04PSN2	SJ125266	DW11P04PSN2R280	SJ125267
Socket	DW11S04PSN2	SJ125268	DW11S04PSN2R180	SJ125269

## Technical Documents

Connector Specifications	JACS-11388
Handling Manual	JAHL-11388
Test Report	SR-C-1815

### Notice:

1. The values specified in this brochure are only for reference. The products and their specifications are subject to change without notice. Contact our sales staff for further information before considering or ordering any of our products. For purchase, a product specification must be agreed upon.

2. Users are requested to provide protection circuits and redundancy circuits to ensure safety of the equipment, and sufficiently review the suitability of JAE's products to the equipment.

3. The products presented in this brochure are designed for the uses recommended below. We strongly suggest you contact our sales staff when considering use of any of the products in any other way than the recommended applications or for a specific use that requires an extremely high reliability.

(1) Applications that require consultation:

(i) Please contact us if you are considering use involving a quality assurance program that you specify or that is peculiar to the industry, such as:

Automotive electrical components, train control, telecommunications devices (mainline), traffic light control, electric power, combustion control, fire prevention or security systems, disaster prevention equipment, etc.

(ii) We may separately give you our support with a quality assurance program that you specify, when you think of a use such as :

Aviation or space equipment, submarine repeaters, nuclear power control systems, medical equipment for life support, etc.

(2) Recommended applications include:

Computers, office appliances, telecommunications devices (terminals, mobile units), measuring equipment, audiovisual equipment, home electric appliances, factory automation equipment, etc.

## Japan Aviation Electronics Industry, Limited

\* The specifications in this brochure are subject to change without notice. Please contact JAE for information.