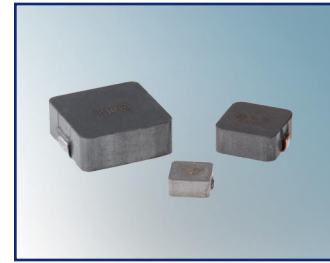


HALO ELECTRONICS, INC. HPC104N (11.5x10x4) SMD, Magnetically Shielded Power Inductor

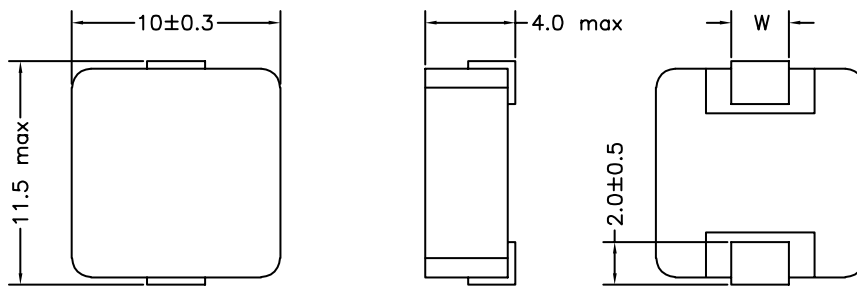
HALO Electronics offers a broad line of small surface mount power inductors designed for switch mode power supplies. The HPC series is ideal for real estate sensitive applications such as cell phones and disc drives. The magnetically shielded design minimizes flux interferences. This standard series is LEAD-free and RoHS compliant. Available in tape and reel packaging. Please contact your nearest HALO representative for custom designs.



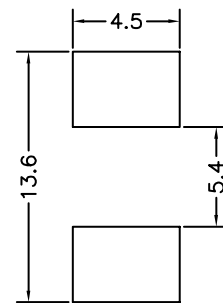
HPC104N (11.5x10x4)
SMD, Magnetically Shielded Power Inductor



Package Dimensions (mm)



Recommended Solder Pad



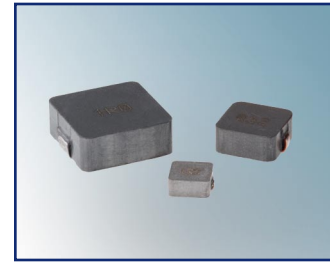
ELECTRICAL SPECIFICATIONS (25°C)

Part Number	L (μH) ²	DCR (mΩ) TYP	DCR (mΩ) MAX	Heat Rating Current (ADC) ³	Saturation Current (ADC) ⁴	W ±0.5
HPC104N-R22MTR	0.22	0.9	1.1	35	54	3.0
HPC104N-R36MTR	0.36	1.0	1.3	34	41	3.0
HPC104N-R47MTR	0.47	1.4	1.5	28	36	3.0
HPC104N-R56MTR	0.56	1.5	1.8	25	34	3.0
HPC104N-R68MTR	0.68	2.4	2.7	20	32	3.0
HPC104N-R88MTR	0.88	2.1	2.4	21	32	3.0
HPC104N-1R0MTR	1.0	3	3.3	19	26	3.0
HPC104N-1R5MTR	1.5	3.8	4.2	16	20	3.0
HPC104N-2R2MTR	2.2	6.6	7	12	18	1.8
HPC104N-3R3MTR	3.3	9.5	13	10	14	1.8
HPC104N-4R7MTR	4.7	13	15.5	9	12	1.8
HPC104N-5R6MTR	5.6	18.4	20	7	12	1.8
HPC104N-6R8MTR	6.8	20	22	7	11	1.8
HPC104N-8R2MTR	8.2	23.2	25.5	7	10	1.8
HPC104N-10RMTR	10.0	32.1	35	5	9	1.8

1. Operating Temperature: -55°C to +125°C
2. Inductance tolerance (100kHz, 0.25V, 0ADC): ±20%
3. DC current that will cause approximate 40°C rise in temperature
4. DC current that will cause inductance (L) drop by 20% from nominal
5. Part temperature (ambient + temp rise) should not exceed 125°C under worst case operating conditions
6. Frequency range up to 1.0 MHz

HALO ELECTRONICS, INC. HPC073N (7.5x6.5x3) SMD, Magnetically Shielded Power Inductor

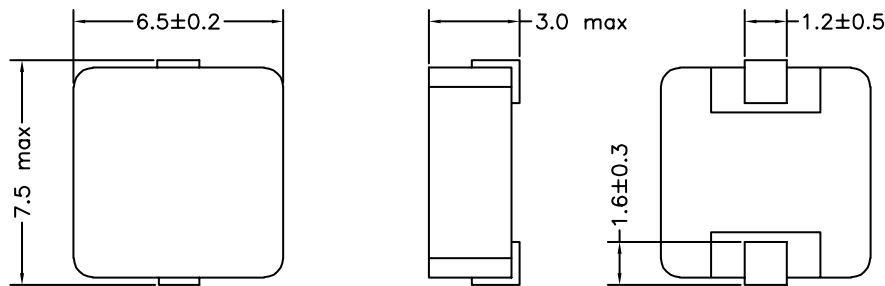
HALO Electronics offers a broad line of small surface mount power inductors designed for switch mode power supplies. The HPC series is ideal for real estate sensitive applications such as cell phones and disc drives. The magnetically shielded design minimizes flux interferences. This standard series is LEAD-free and RoHS compliant. Available in tape and reel packaging. Please contact your nearest HALO representative for custom designs.



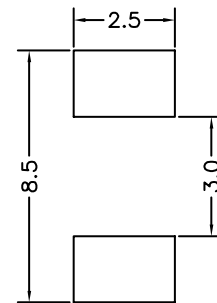
HPC073N (7.5x6.5x3)
SMD, Magnetically Shielded Power Inductor



Package Dimensions (mm)



Recommended Solder Pad



ELECTRICAL SPECIFICATIONS (25°C)

Part Number	L (μH) ²	DCR (mΩ) TYP	DCR (mΩ) MAX	Heat Rating Current (ADC) ³	Saturation Current (ADC) ⁴
HPC073N-R22MTR	0.22	2.3	2.7	20	34
HPC073N-R33MTR	0.33	2.8	3.4	18	22
HPC073N-R36MTR	0.36	2.8	3.4	18	22
HPC073N-R47MTR	0.47	3.7	4.4	17	20
HPC073N-R56MTR	0.56	3.8	4.5	16	17
HPC073N-R68MTR	0.68	4.5	5	14	17
HPC073N-R82MTR	0.82	5.8	6.1	13	17
HPC073N-1R0MTR	1.0	6.3	7	12	15
HPC073N-1R5MTR	1.5	8	10	11	13
HPC073N-2R2MTR	2.2	17.5	19	7	11
HPC073N-3R3MTR	3.3	20	24	7	9
HPC073N-4R7MTR	4.7	26	29	5.3	7
HPC073N-5R6MTR	5.6	38	40	4.5	6
HPC073N-6R8MTR	6.8	40	42	4.5	5.5
HPC073N-8R2MTR	8.2	42	45	4.2	5

1. Operating Temperature: -55°C to +125°C
2. Inductance tolerance (100kHz, 0.25V, 0ADC): ±20%
3. DC current that will cause approximate 40°C rise in temperature
4. DC current that will cause inductance (L) drop by 20% from nominal
5. Part temperature (ambient + temp rise) should not exceed 125°C under worst case operating conditions
6. Frequency range up to 1.0 MHz

HALO ELECTRONICS, INC. HPC042N (4.8x4x2) SMD, Magnetically Shielded Power Inductor

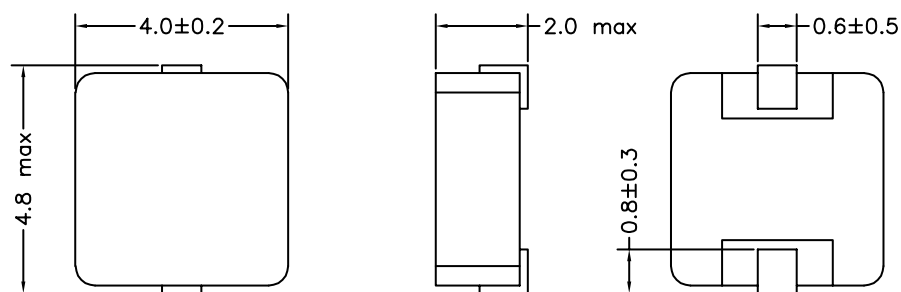
HALO Electronics offers a broad line of small surface mount power inductors designed for switch mode power supplies. The HPC series is ideal for real estate sensitive applications such as cell phones and disc drives. The magnetically shielded design minimizes flux interferences. This standard series is LEAD-free and RoHS compliant. Available in tape and reel packaging. Please contact your nearest HALO representative for custom designs.



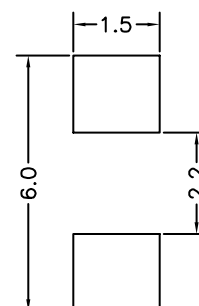
HPC042N (4.8x4x2)
SMD, Magnetically Shielded Power Inductor



Package Dimensions (mm)



Recommended Solder Pad



ELECTRICAL SPECIFICATIONS (25°C)

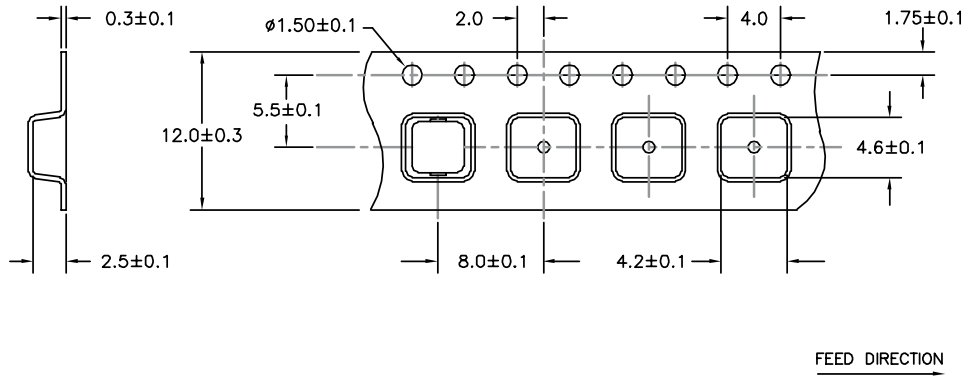
Part Number	L (μH) ²	DCR (mΩ) TYP	DCR (mΩ) MAX	HEAT RATING CURRENT (ADC) ³	SATURATION CURRENT (ADC) ⁴
HPC042N-R22MTR	0.22	7.8	9.3	9	14
HPC042N-R36MTR	0.36	9.5	12	8	11
HPC042N-R47MTR	0.47	10	13	7	10
HPC042N-R56MTR	0.56	11.8	13.5	7	8
HPC042N-R68MTR	0.68	13.5	16	6.3	7
HPC042N-R82MTR	0.82	16	18	5.5	6.5
HPC042N-R88MTR	0.88	16	18	5.5	6.5
HPC042N-1R0MTR	1.0	18	21.6	5	6
HPC042N-1R2MTR	1.2	19	22	5	5
HPC042N-1R5MTR	1.5	22	26	5	5
HPC042N-2R2MTR	2.2	33	40	4.5	5
HPC042N-3R3MTR	3.3	42	48	3.6	4.3
HPC042N-4R7MTR	4.7	68	75	2.7	4

1. Operating Temperature: -55°C to +125°C
2. Inductance tolerance (100kHz, 0.25V, 0ADC): ±20%
3. DC current that will cause approximate 40°C rise in temperature
4. DC current that will cause inductance (L) drop by 20% from nominal
5. Part temperature (ambient + temp rise) should not exceed 125°C under worst case operating conditions
6. Frequency range up to 1.0 MHz

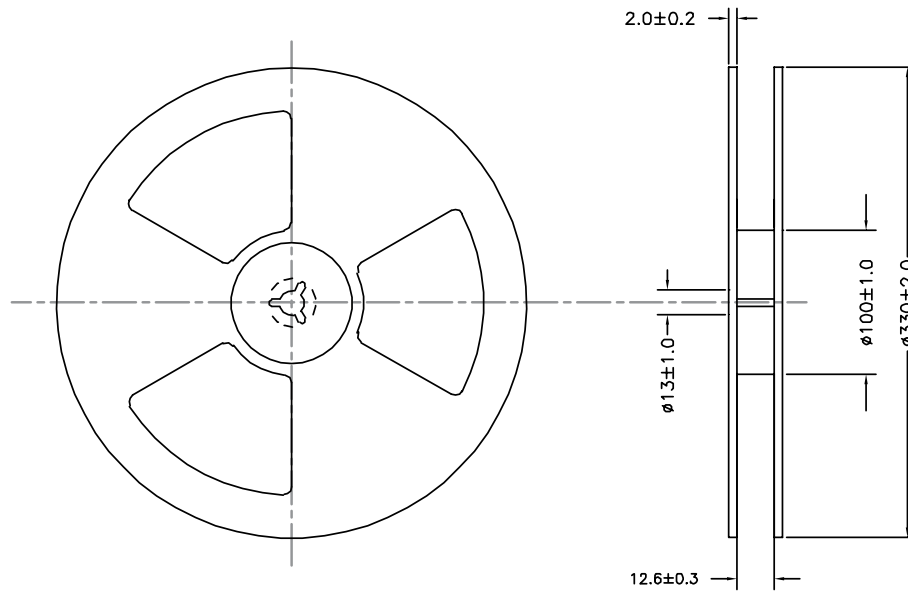
HPC042N-

2000 PARTS PER REEL

CARRIER TAPE DIMENSIONS (mm)



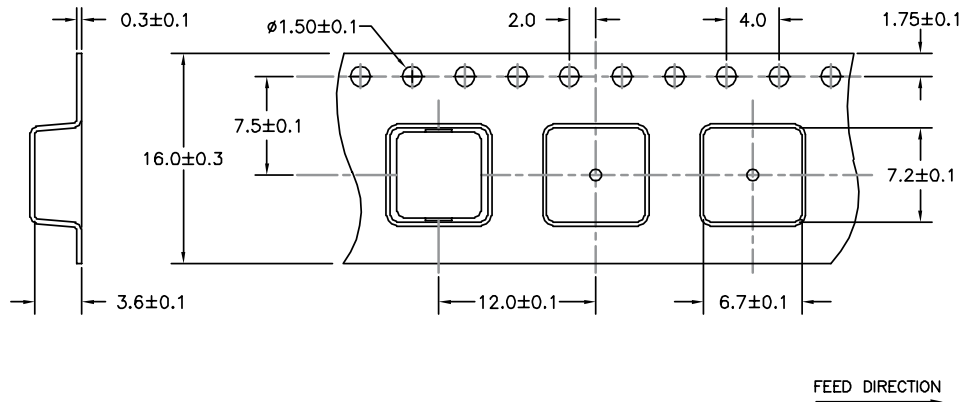
REEL DIMENSIONS (mm)



HPC073N-

1000 PARTS PER REEL

CARRIER TAPE DIMENSIONS (mm)



REEL DIMENSIONS (mm)

