

### Antenna Contact

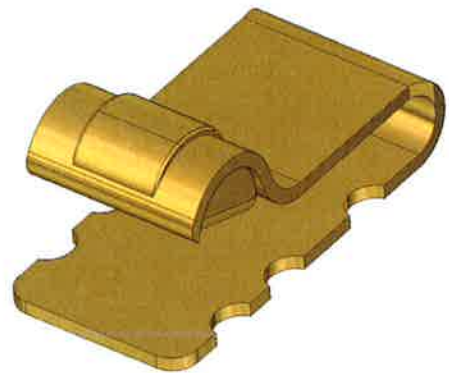
Autosplice has introduced a new series of compact surface mount contacts for antenna applications in mobile devices.

The new single-piece contact designs are ideally suited for Near Field Communications (NFC) antenna requirements as well as other grounding applications within wireless communication designs. Typical existing antenna clips use multi-piece designs that increase complexity, adding quality risk as well as increasing manufacturing costs.

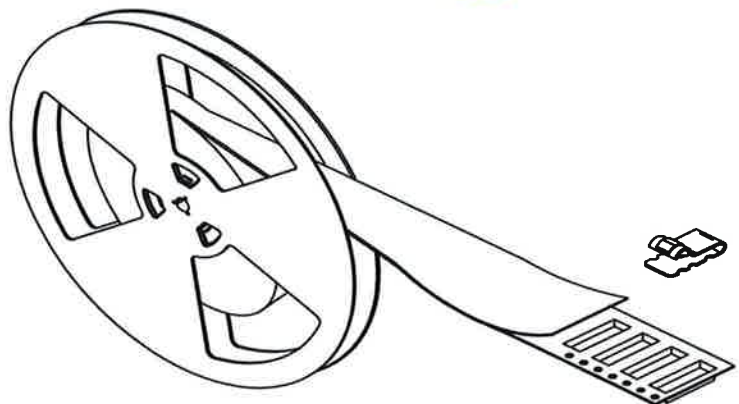
Autosplice crush-proof antenna clips integrate the antenna contact and base into a unified single-piece stamping that improves reliability and reduces costs. Since the entire contact is formed from stamped copper alloy, contact resistance and mechanical stability during vibration are superior to multi-piece designs. In addition, the footprint of the one-piece contact requires less PCB space, allowing for overall better fit, form and function.

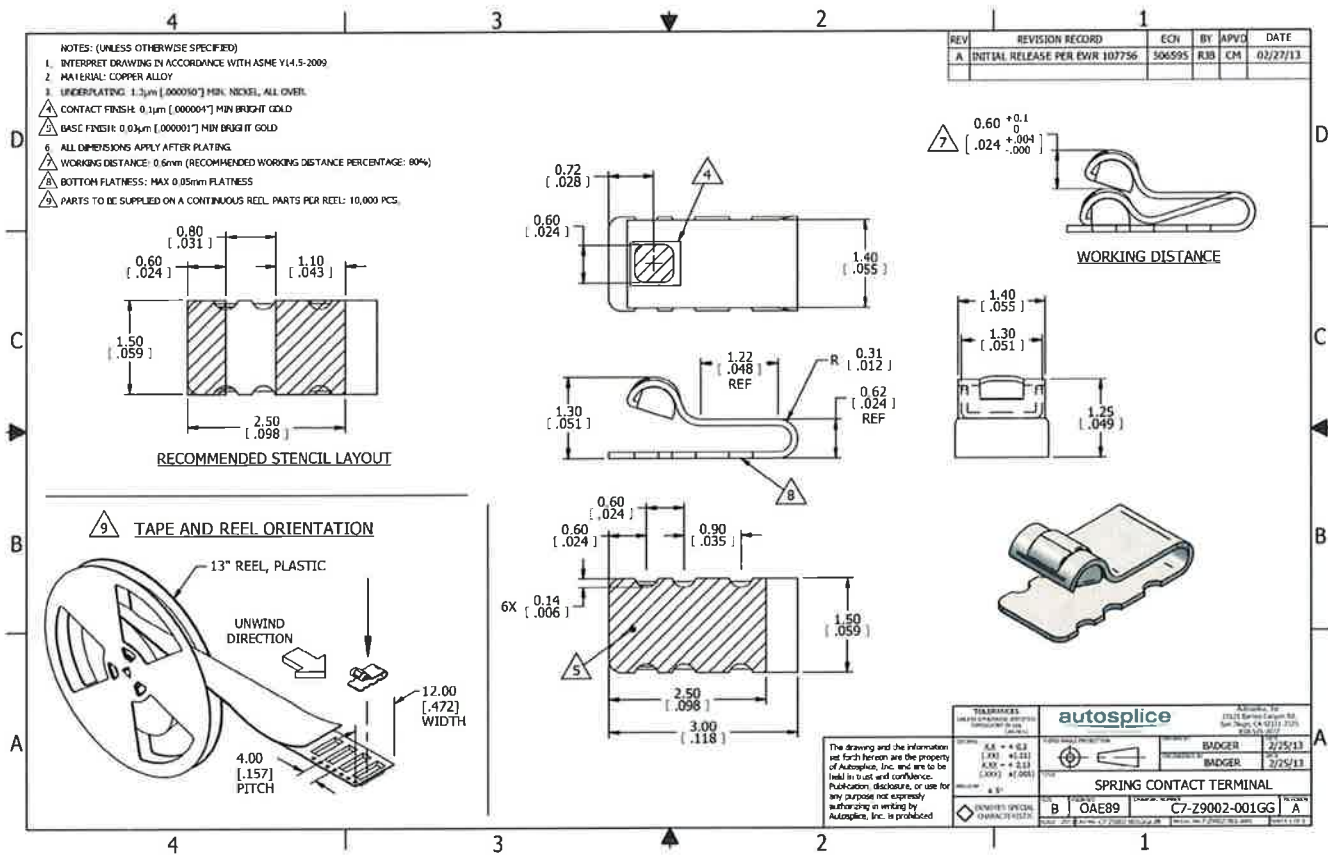
### Technical Specifications

Material:	Copper Alloy
Contact Finish:	0.1µm min bright gold
Base Finish:	0.03µm min bright gold
Underplating:	1.3µm min nickel all over
Working Distance:	0.6mm
Bottom Flatness:	max 0.05mm
Contact Resistance:	50 mΩ max
Rated Electrical Capacity:	30V 2 amps



Contacts packaged 10,000 pieces per 13" EIA standard plastic reel for ease of pick and place assembly.





## Autosplice Worldwide



**Autosplice, Inc. Headquarters**  
10121 Barnes Canyon Road  
San Diego, CA 92121 USA  
Toll free: +1-800-535-5538  
Tel: +1-858-535-0077  
Fax: +1-858-535-0130  
[sales@autosplice.com](mailto:sales@autosplice.com)



**Autosplice Mexico S. de R.L. de C.V.**  
Calle Cartagena No. 18960 - 1 & 2  
Colonia el Porvenir, Delegacion La Presa  
Parque Industrial Insurgentes  
Tijuana BC 22224 Mexico  
Tel: +52 (664) 6258796  
[sales@autosplice.com](mailto:sales@autosplice.com)



**Autosplice Britnatic Ltd.**  
Heanor Gate Industrial Estate  
DeVes Road Heanor, Derbyshire  
DE757SJ United Kingdom  
Tel: +44 (0) 177 353 6363  
Fax: +44 (0) 177 307 1488  
[sales@autosplice.co.uk](mailto:sales@autosplice.co.uk)



**Autosplice Korea**  
Sihwa High-Tech Knowledge Industry Center  
Room 201, 242, Seocheon-ro, Siheung-si  
Gyeonggi-do 429-848, Republic of Korea  
Tel: +82 31 8041 3133  
Fax: +82 31 8041 3115  
[info@autosplice.co.kr](mailto:info@autosplice.co.kr)



**Autosplice Electronics (Dongguan) Ltd.**  
No. 17 Chuang Xin Road 1  
Xia Ling Bei Industrial Estate  
Liaobu Town, Guangdong Province, China  
Tel: 0769 8352 5370  
Fax: 0769 8352 5372  
[sales@autosplicechina.com](mailto:sales@autosplicechina.com)



**Autosplice Paramount**  
7551 Rosecrans Avenue  
Paramount, CA 90723 USA  
Toll free: +1-800-535-5538  
Tel: +1-858-535-0077  
Fax: +1-310-933-3632  
[sales@autosplice.com](mailto:sales@autosplice.com)



**Autosplice Europe GmbH**  
Mühlsteig 2  
D-90579 Langenzenn  
Germany  
Tel: +49 9101 9014 0  
Fax: +49 9101 9014 190  
[info@autosplice.de](mailto:info@autosplice.de)



**Autosplice Japan**  
3-7-39 Minami-cho  
Higashi Kurume Shi  
Tokyo 203-0031 Japan  
Tel: +81 424 62 8481  
Fax: +81 424 62 8513  
[info@autosplice.co.jp](mailto:info@autosplice.co.jp)



**Autosplice Asia Pte., Ltd.**  
Block 1002 Jalan Bukit Merah, Unit #05-13  
Redhill Industrial Estate  
Singapore 159456  
Tel: +65 6276 8223  
Fax: +65 6276 0833  
[sales@autospliceasia.com.sg](mailto:sales@autospliceasia.com.sg)



**Autosplice Industria E Comercio Ltda.**  
Rua Pierre Lafage, 219  
São Paulo - SP - Brazil 05163-060  
Tel: +55 11 3601 4445  
[connect@autosplice.com.br](mailto:connect@autosplice.com.br)

## Authorized Distributors

**HEILIND**

Performance. Trust. Innovation

800.400.7041

[contact@heilind.com](mailto:contact@heilind.com)

**KEI KENSINGTON ELECTRONICS**  
Not just products - Solutions!

800.325.0534

[cdonovan@keiconn.com](mailto:cdonovan@keiconn.com)

**autosplice**

Innovative Interconnections™

[www.autosplice.com](http://www.autosplice.com)

[sales@autosplice.com](mailto:sales@autosplice.com)